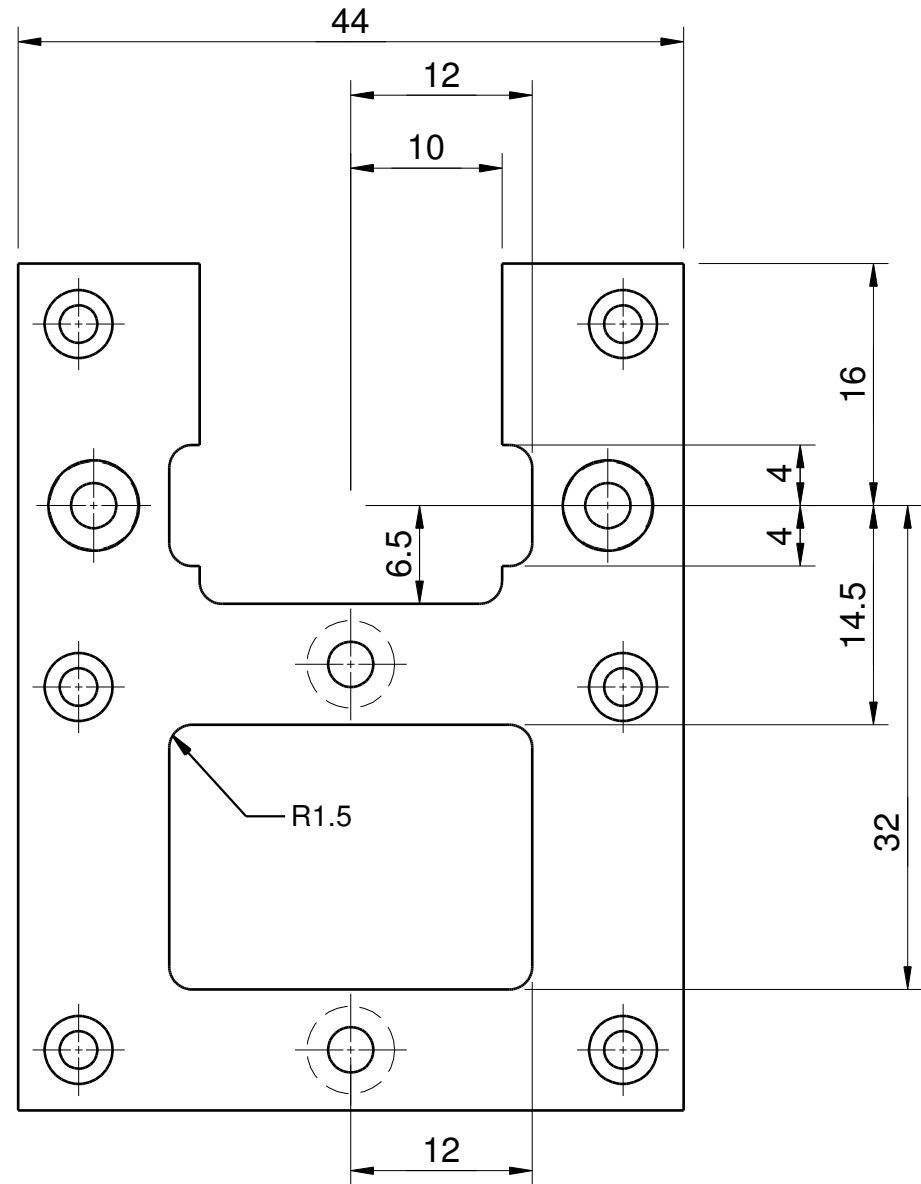
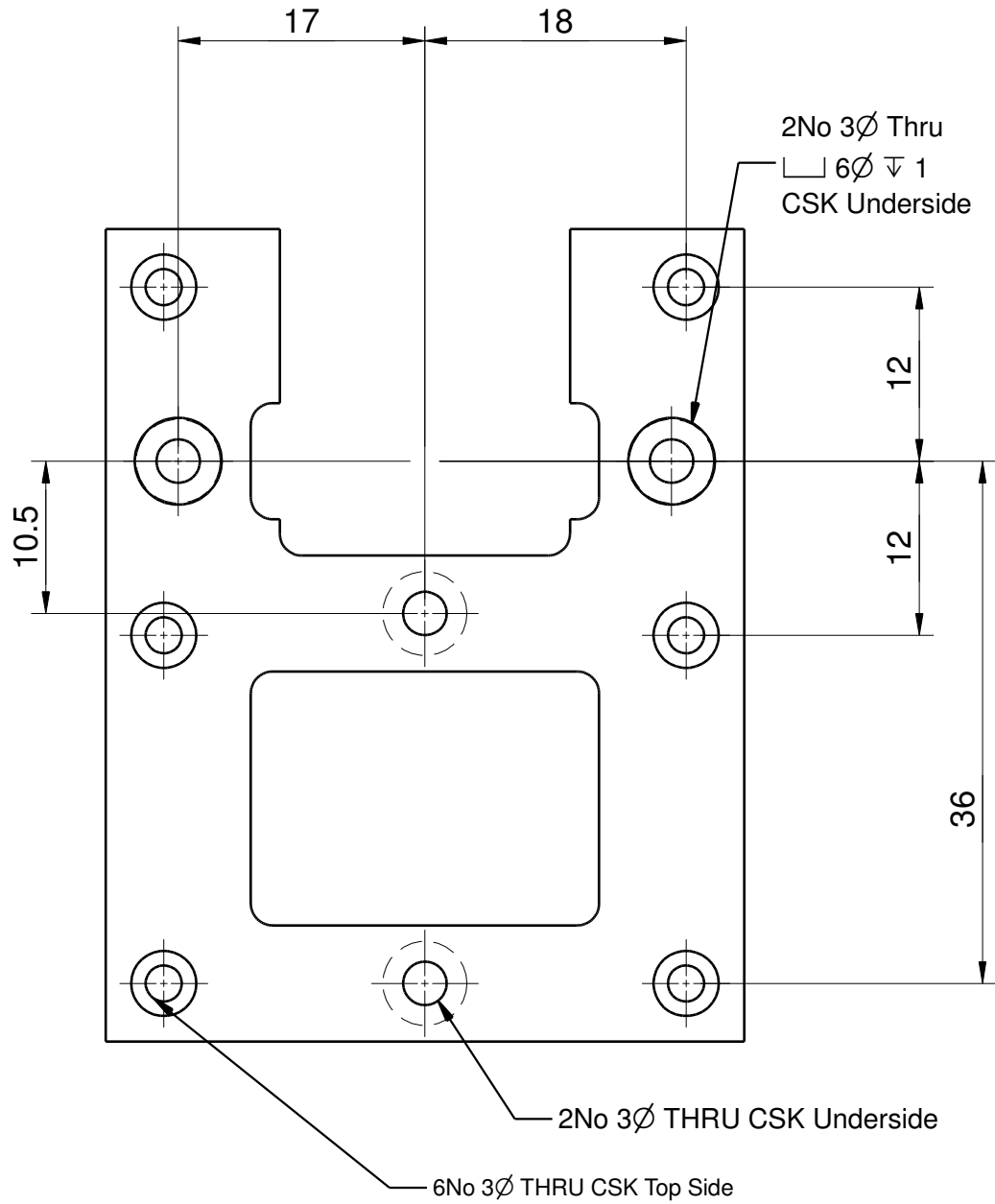


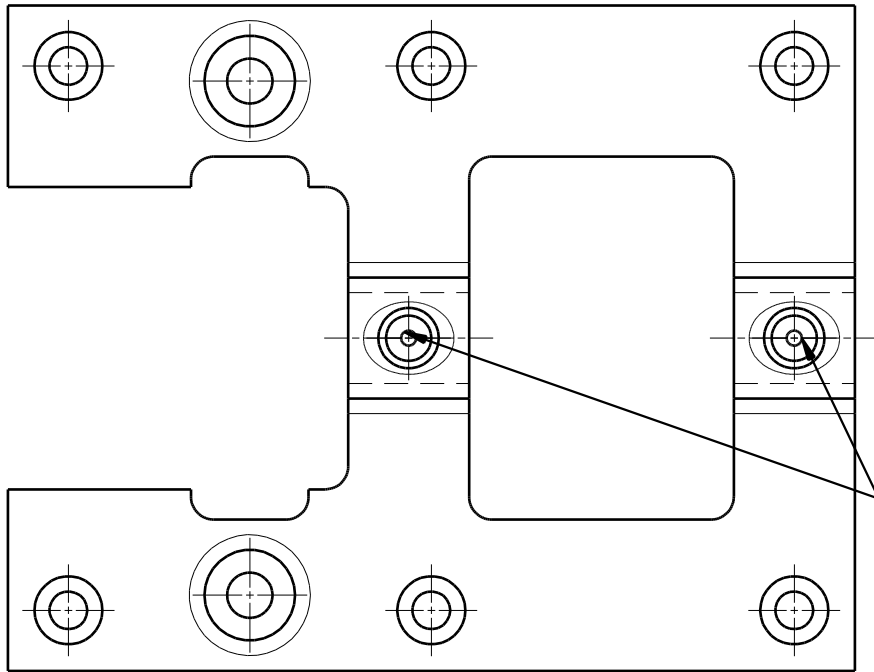
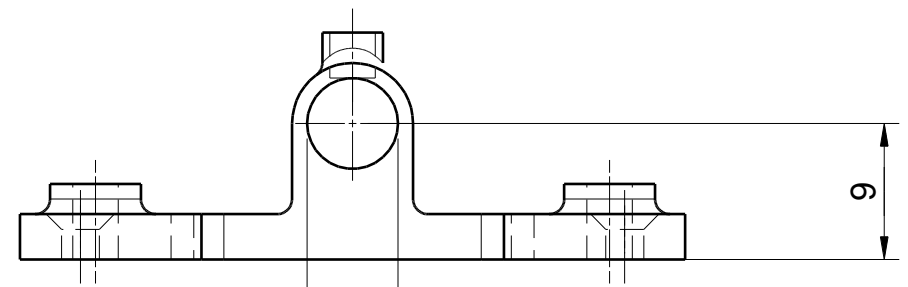
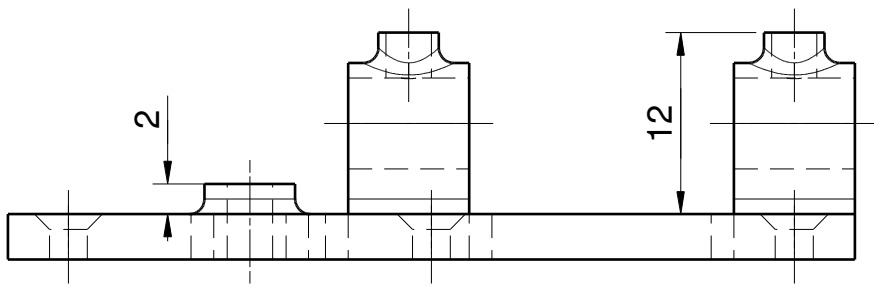
**BASSETT LOWKE ECLIPSE REPLICA**

General Arrangement	1
Material	Scale 1:1



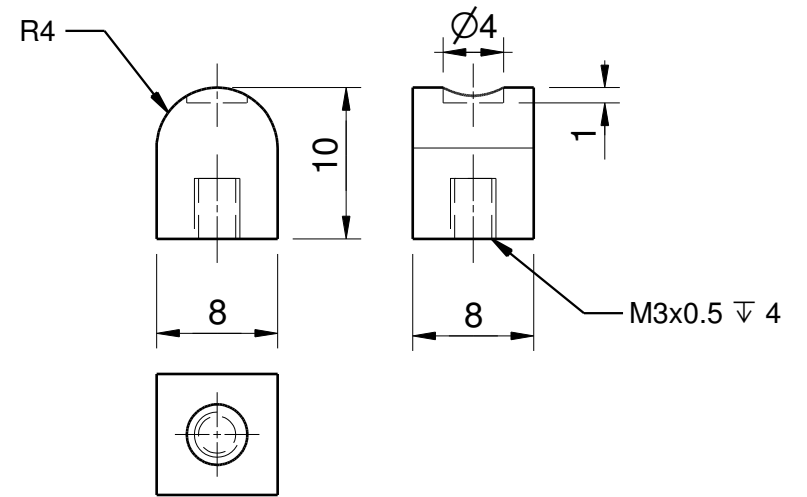
**Sole Plate 1 REQ'D**  
**3mm Thick Steel**

<b>BASSETT LOWKE ECLIPSE REPLICA</b>	
Sole Plate Parts 1	2
Material Steel	Scale 2:1



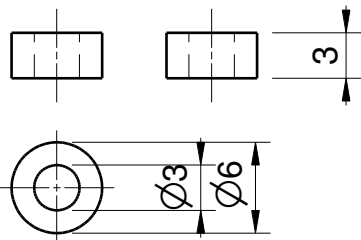
2No 1 $\varnothing$  THRU  
Drill After 6mm Hole

Drill & Ream After Assembly

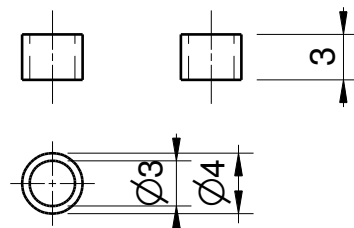


**Sole Plate Assembly**

**Bearing Block 2No Req'd  
Bronze**

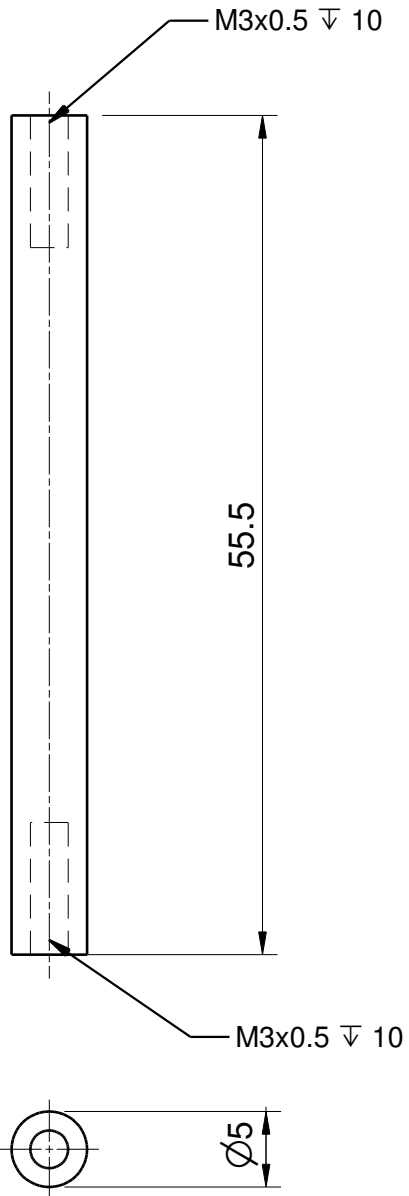


**Column Boss 2No Req'd  
Steel**

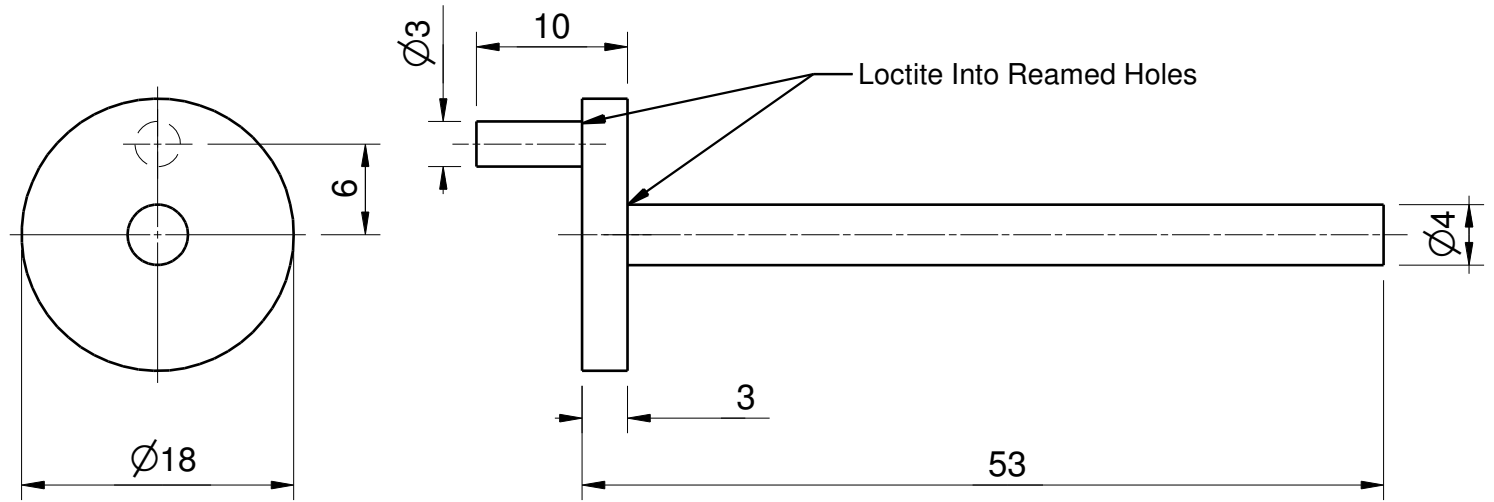


**Oil Pot 2No Req'd  
Steel**

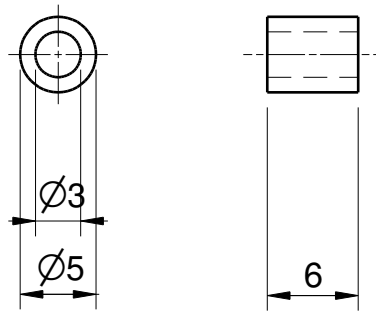
BASSETT LOWKE ECLIPSE REPLICA	
Sole PlateParts 2 Assembly	3
Material Steel & Bronze	Scale 2:1



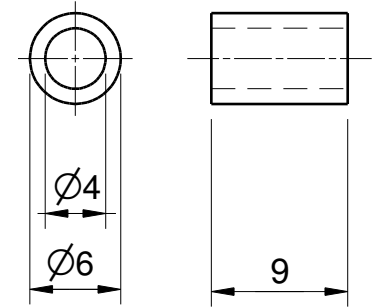
**Column 2No REQ'D  
Steel**



**Crankshaft Assembly  
Silversteel Rods, Steel Disc**

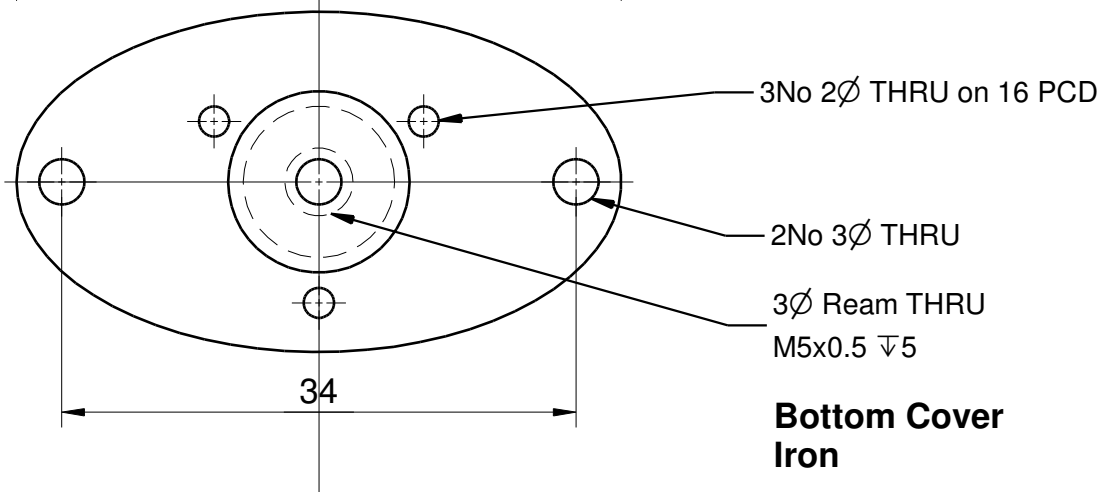
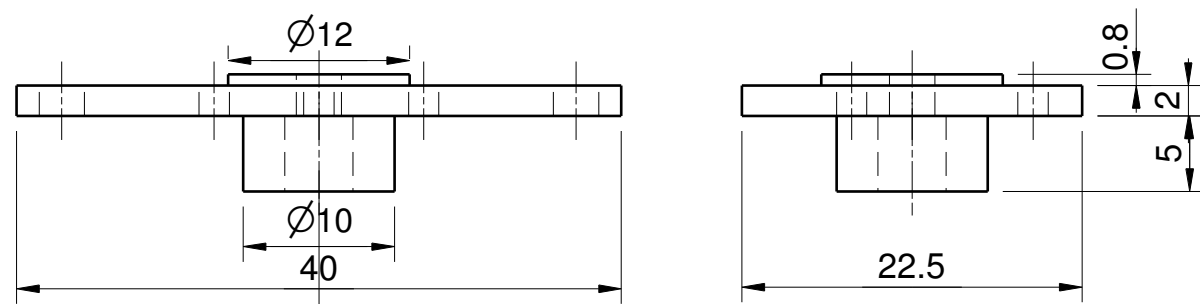


**Big End Bearing  
Bronze**

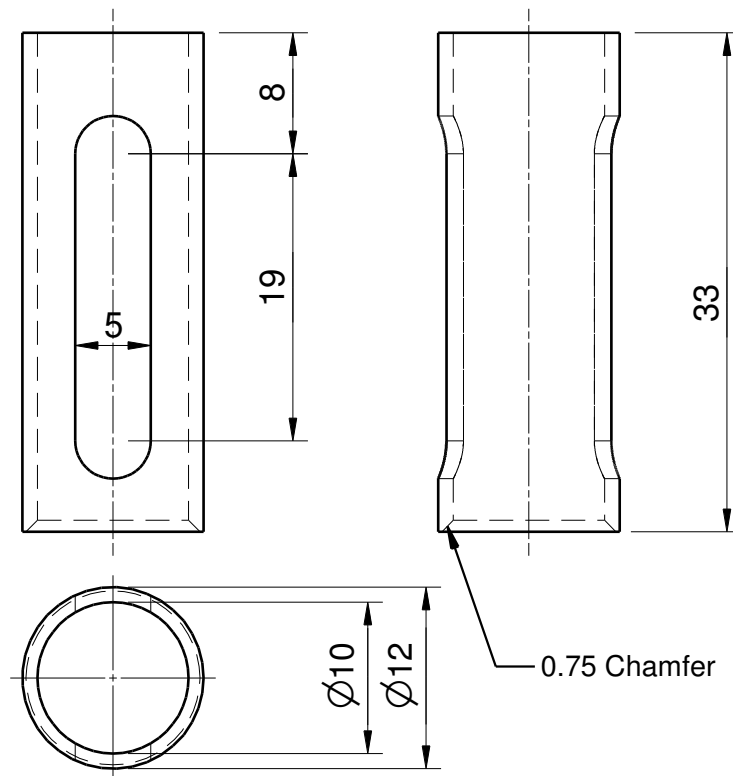


**Main Bearings 2No REQ'D  
Bronze**

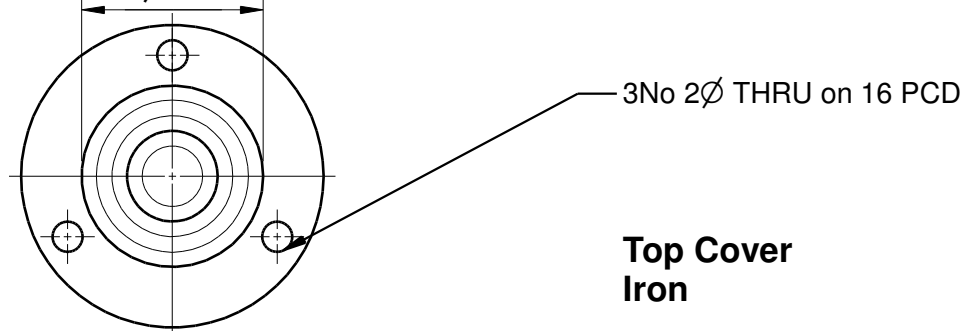
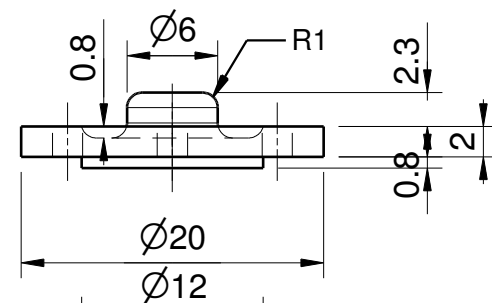
BASSETT LOWKE ECLIPSE REPLICA	
Crankshaft, Bearings & Columns	4
Material Silver Steel, Steel & Bronze	Scale 2:1



**Bottom Cover  
Iron**

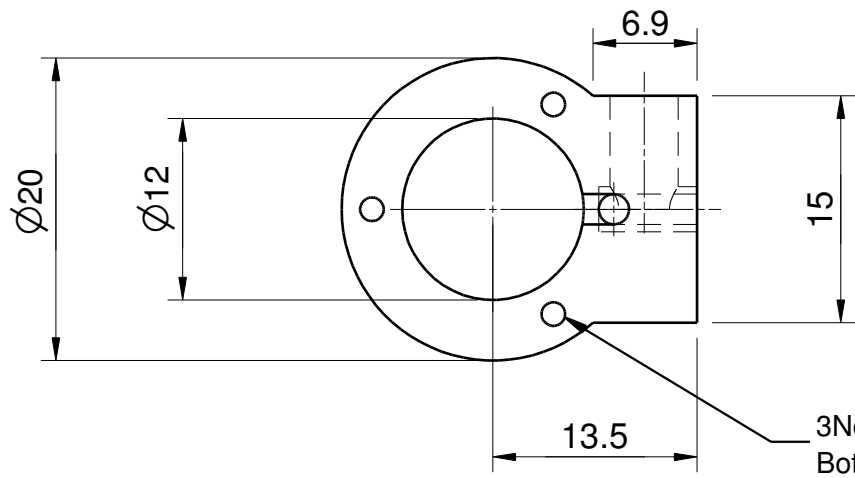


**Trunk Guide  
Steel**

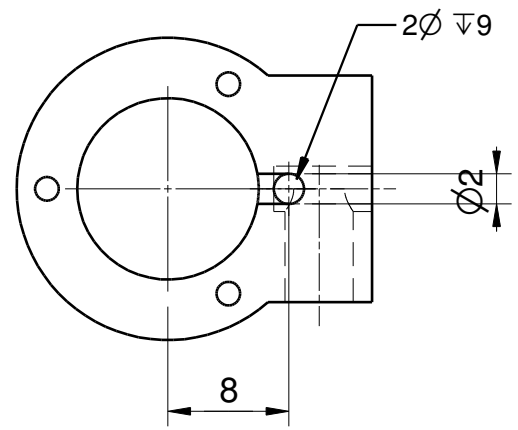
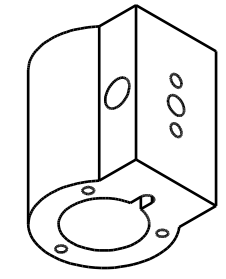
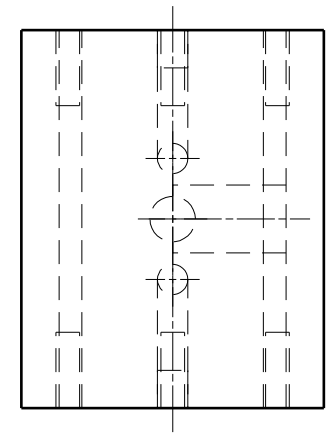
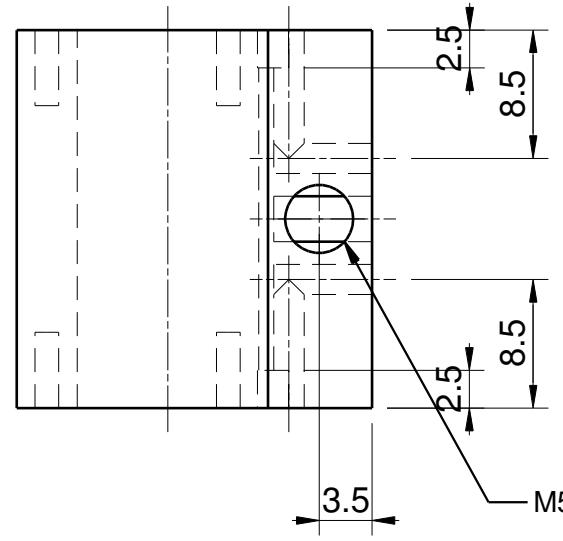
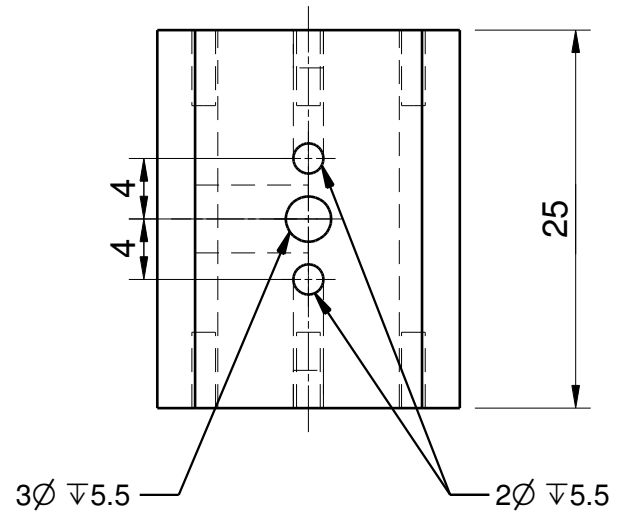
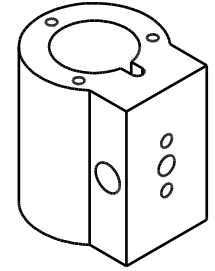


**Top Cover  
Iron**

BASSETT LOWKE ECLIPSE REPLICAS	
Top & Bottom Covers Trunk Guide	5
Material Iron & Steel	Scale 2:1

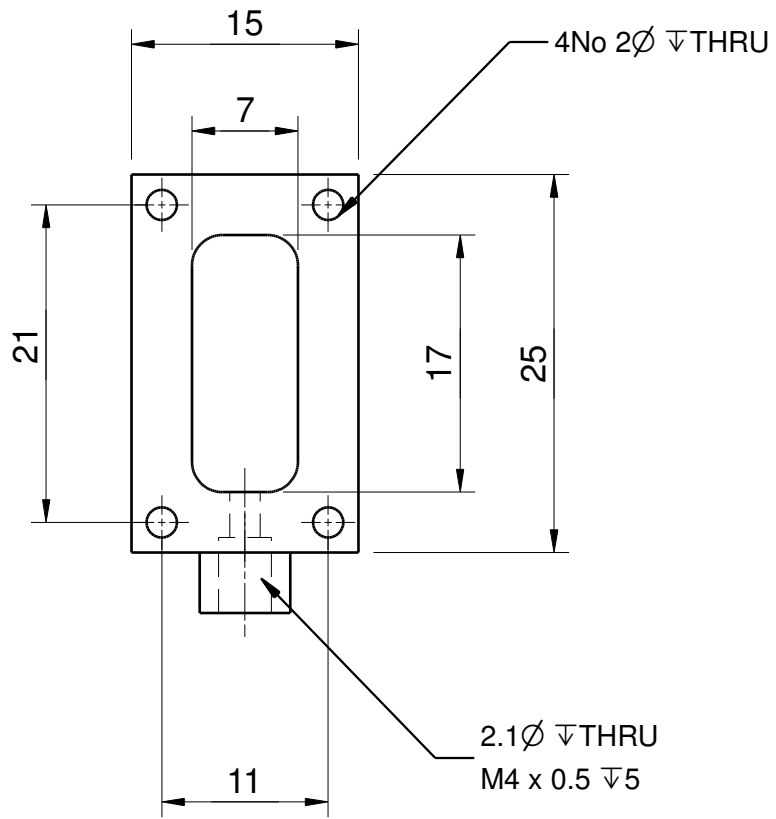
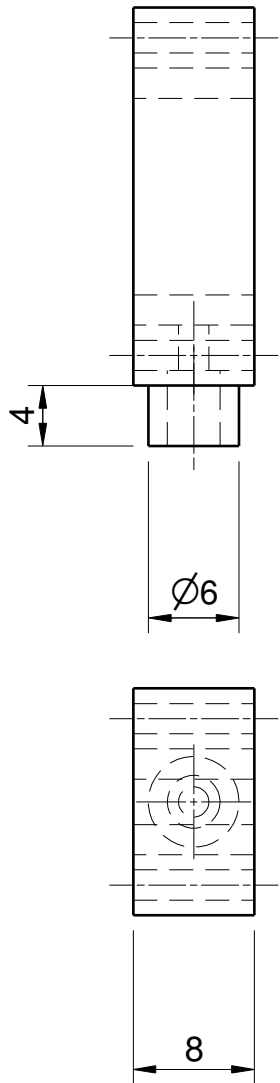


3No M2 x 0.4  $\nabla$ 5 on 16PCD Both Ends

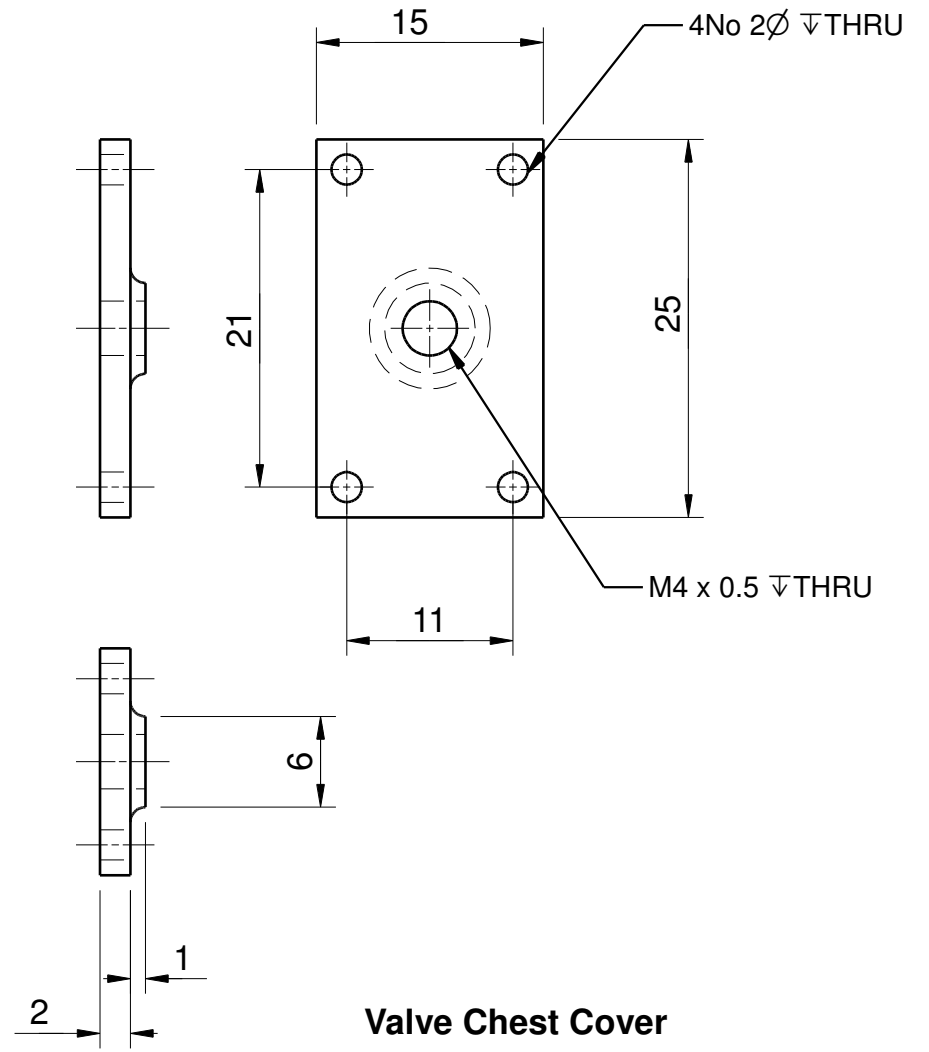


**BASSETT LOWKE ECLIPSE REPLICA**

Cylinder	6
Material Cast Iron	Scale 2:1

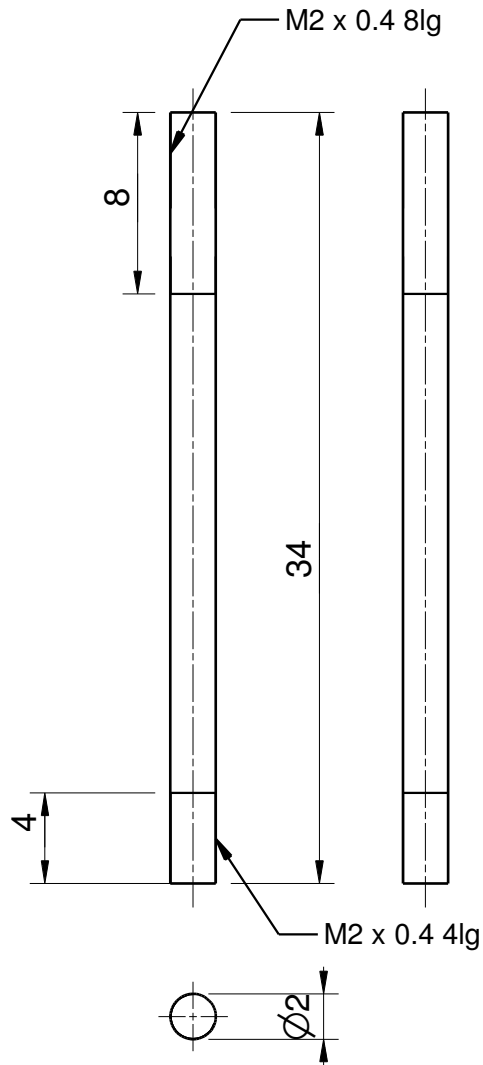
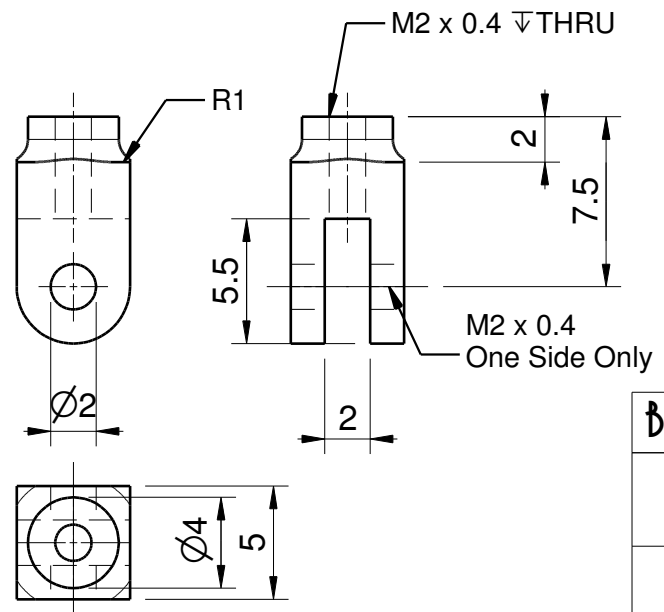
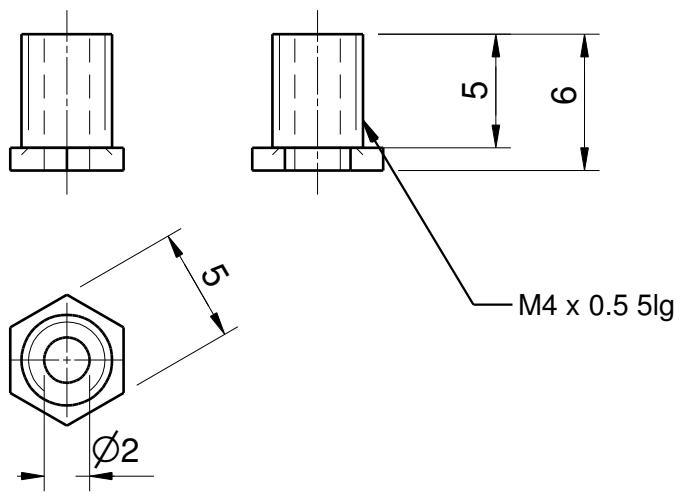
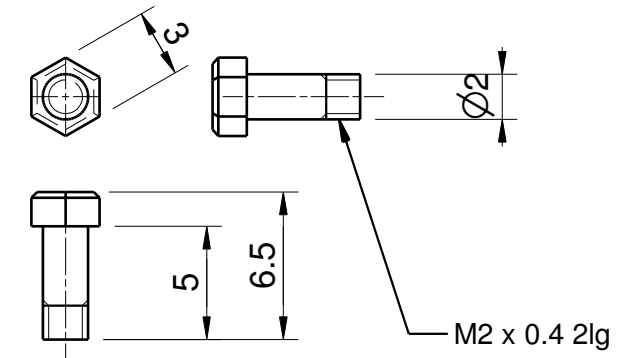
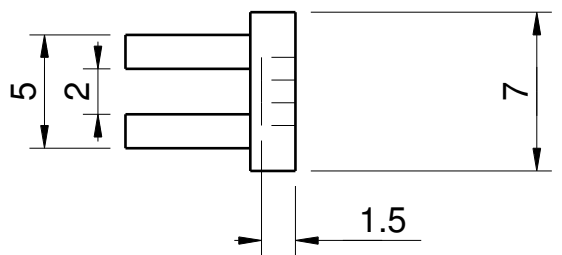
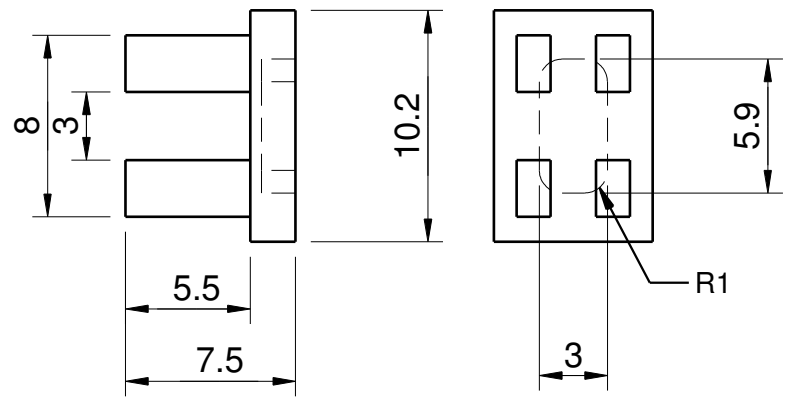
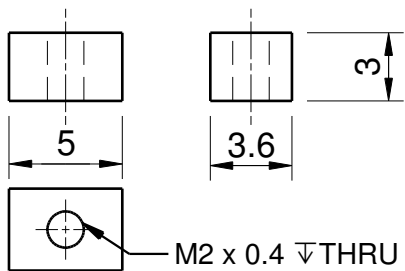


**Valve Chest**



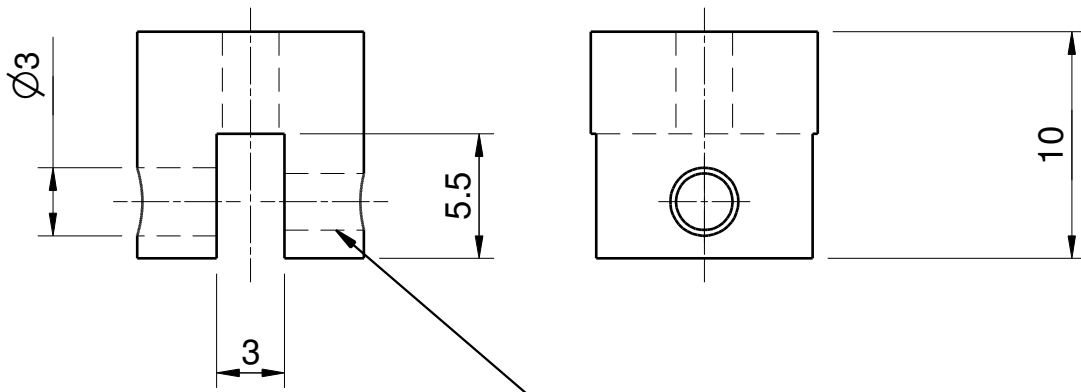
**Valve Chest Cover**

BASSETT LOWKE ECLIPSE REPLICAS	
Valve Chest & Cover	7
Material Cast Iron	Scale 2:1



<b>BASSETT LOWKE ECLIPSE REPLICA</b>	
Valve Parts	8
Material Brass, Stainless & Mild Steel	Scale 3:1

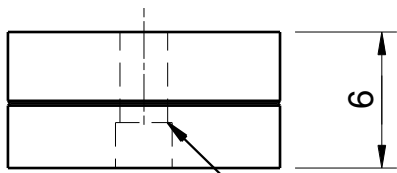
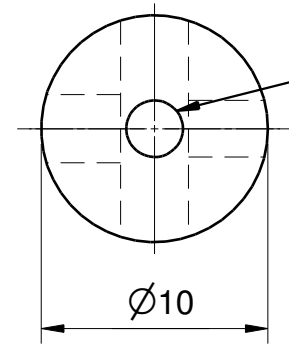




M3 x 0.5 One Side Only

M3 x 0.5  $\nabla$ THRU

**Crosshead  
Brass**

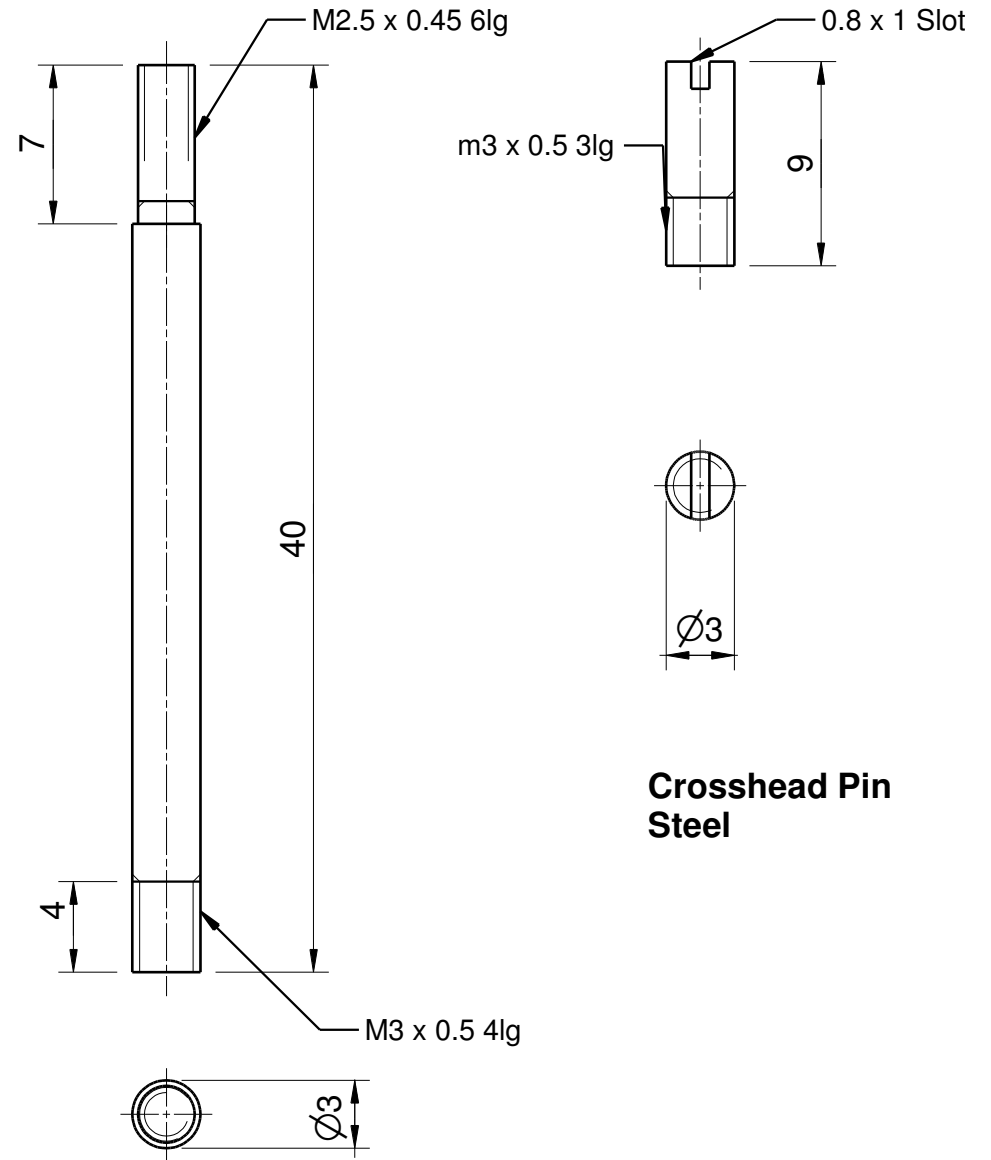
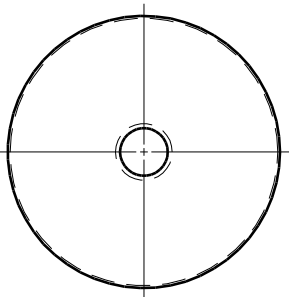


M2.5 x 0.4  $\nabla$ THRU

2.5 $\varnothing$   $\nabla$ 2

Oil Groove

**Piston  
Aluminium**

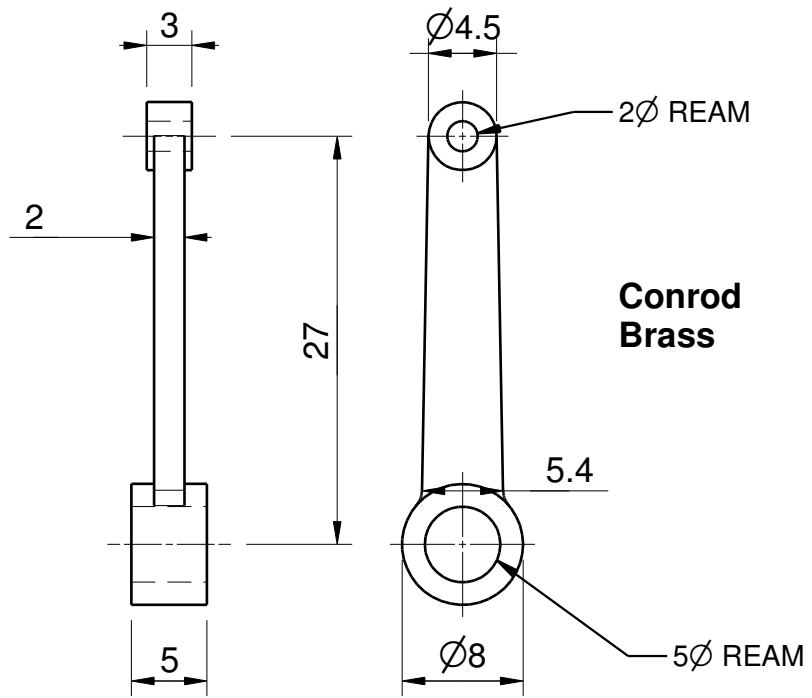


M3 x 0.5 4lg

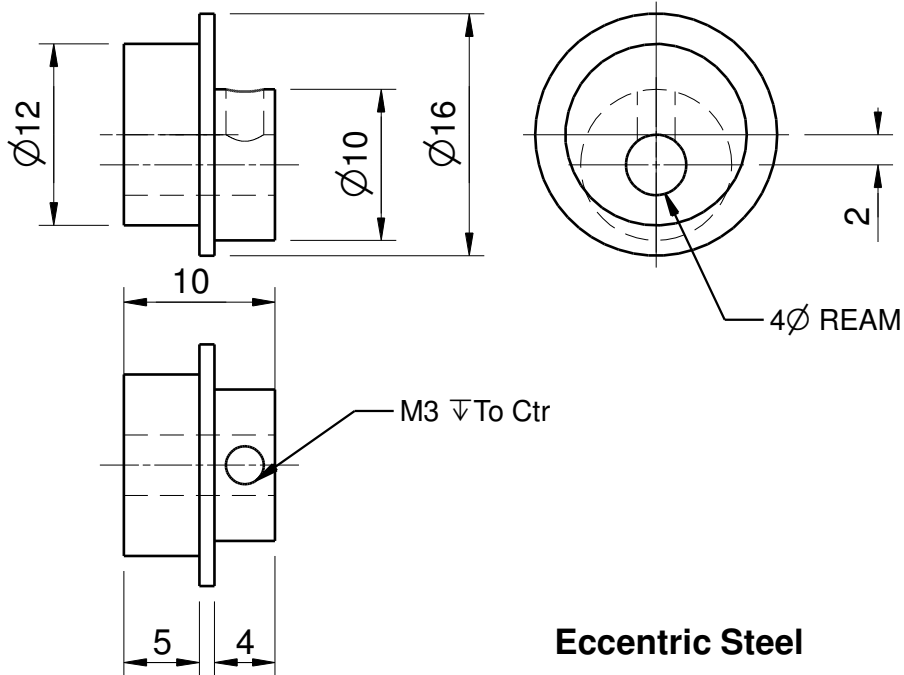
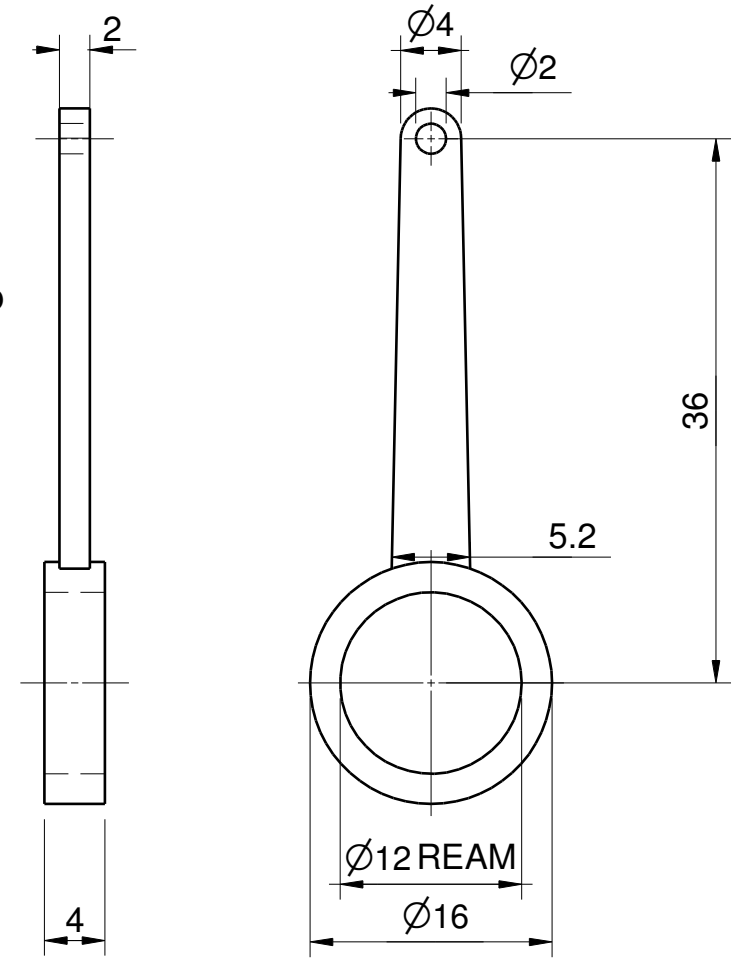
**Piston Rod  
Stainless Steel**

**Crosshead Pin  
Steel**

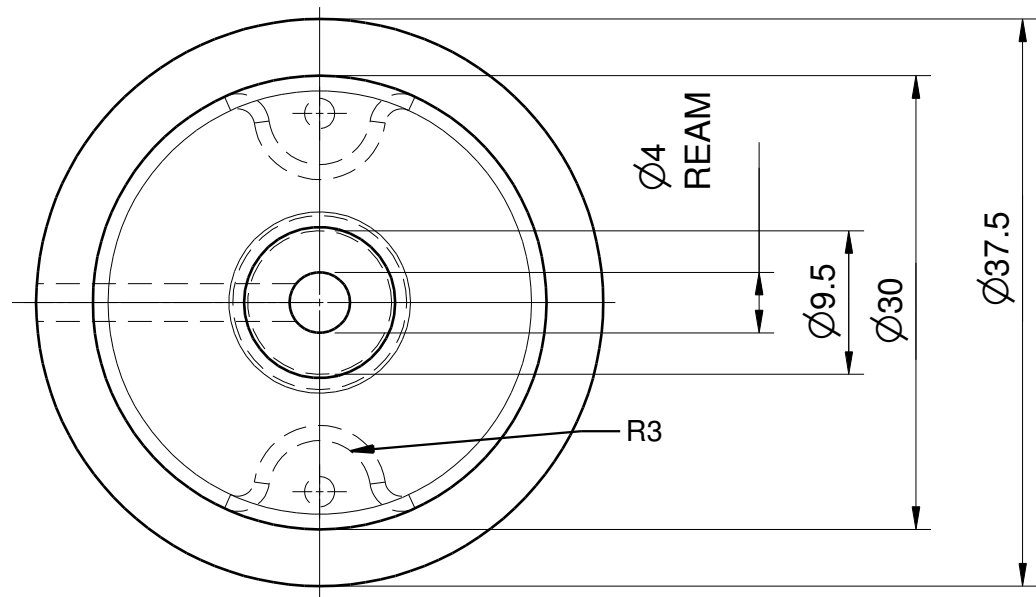
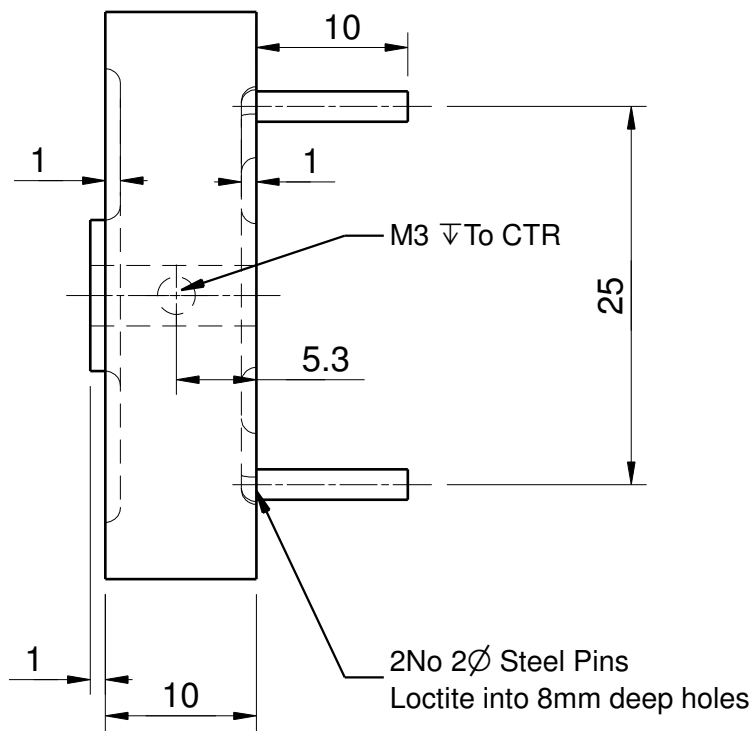
BASSETT LOWKE ECLIPSE REPLICA	
Piston, Rod, Crosshead and Pins	9
Material Various as Noted	Scale 3:1



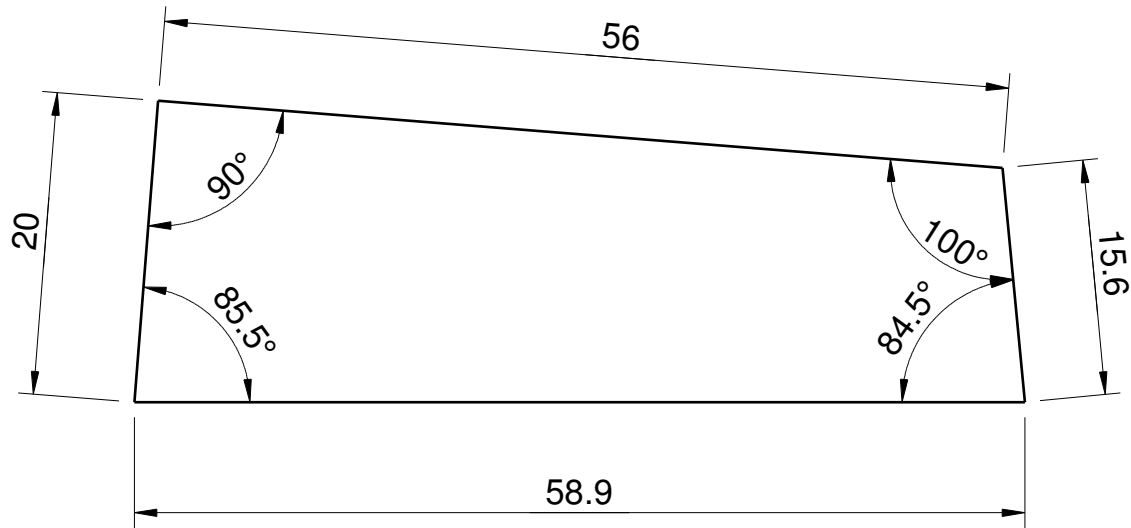
**Eccentric Strap Brass**



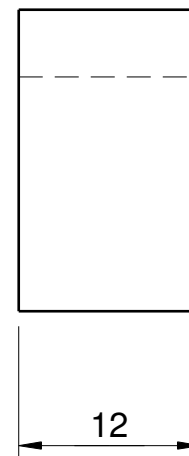
BASSETT LOWKE ECLIPSE REPLICA	
Eccentric Strap, Conrod & Eccentric	10
Material Brass & Steel	Scale 2:1



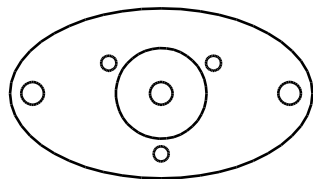
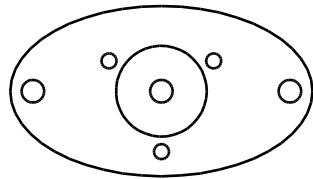
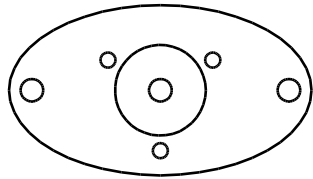
**Flywheel  
Cast Iron**



**Display Bearer  
Hardwood 2No Req'd**



BASSETT LOWKE ECLIPSE REPLICA	
Flywheel & Stand	11
Material Castiron, Steel & Hardwood	Scale 1:1 & 2:1



BASSETT LOWKE ECLIPSE REPLICAS	
Template	1
Material	Scale 1:1