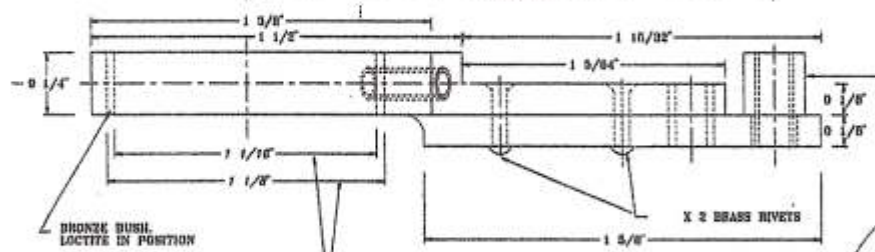
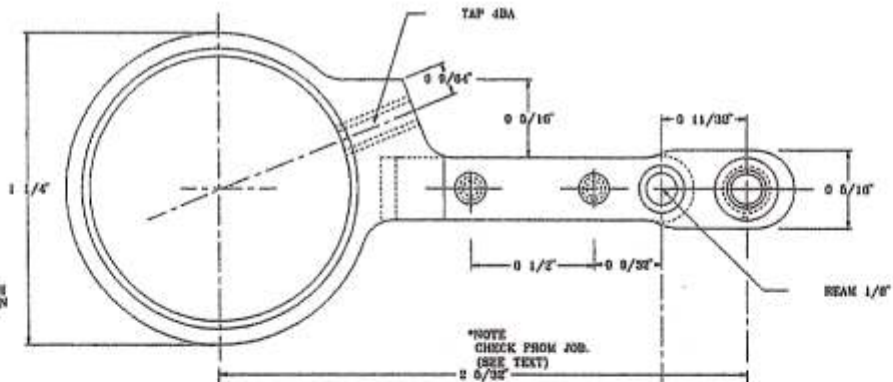
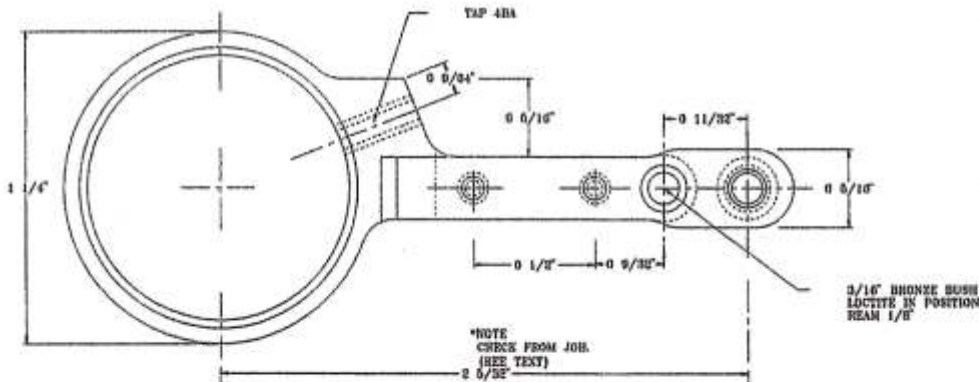
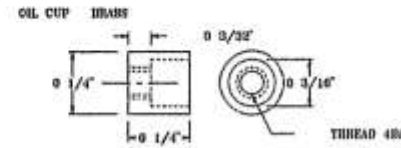
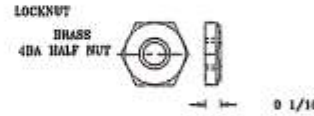
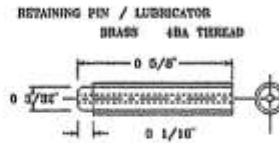
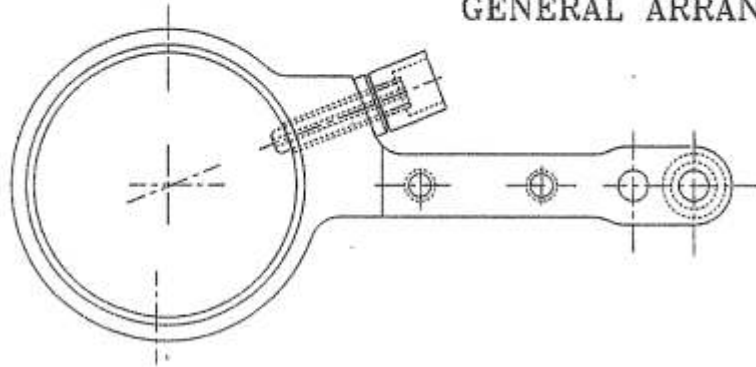


ECCENTRIC STRAP

X 2 (ONE LEFT HANDED. ONE RIGHT HANDED)

MAIN BODY STEEL

GENERAL ARRANGEMENT



* SEE NOTE

BUSH MADE SEPARATELY LOCTITE IN POSITION

