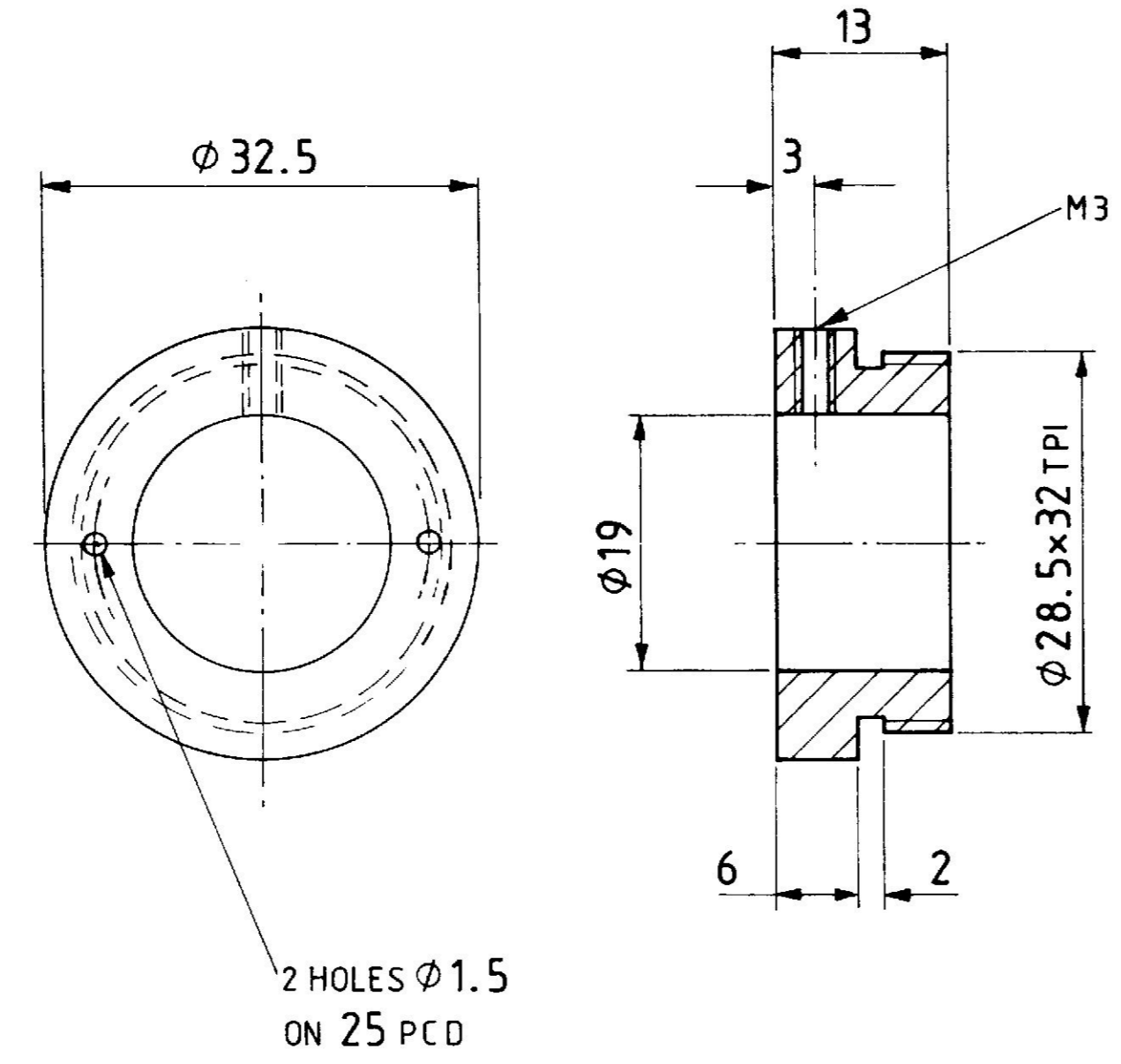
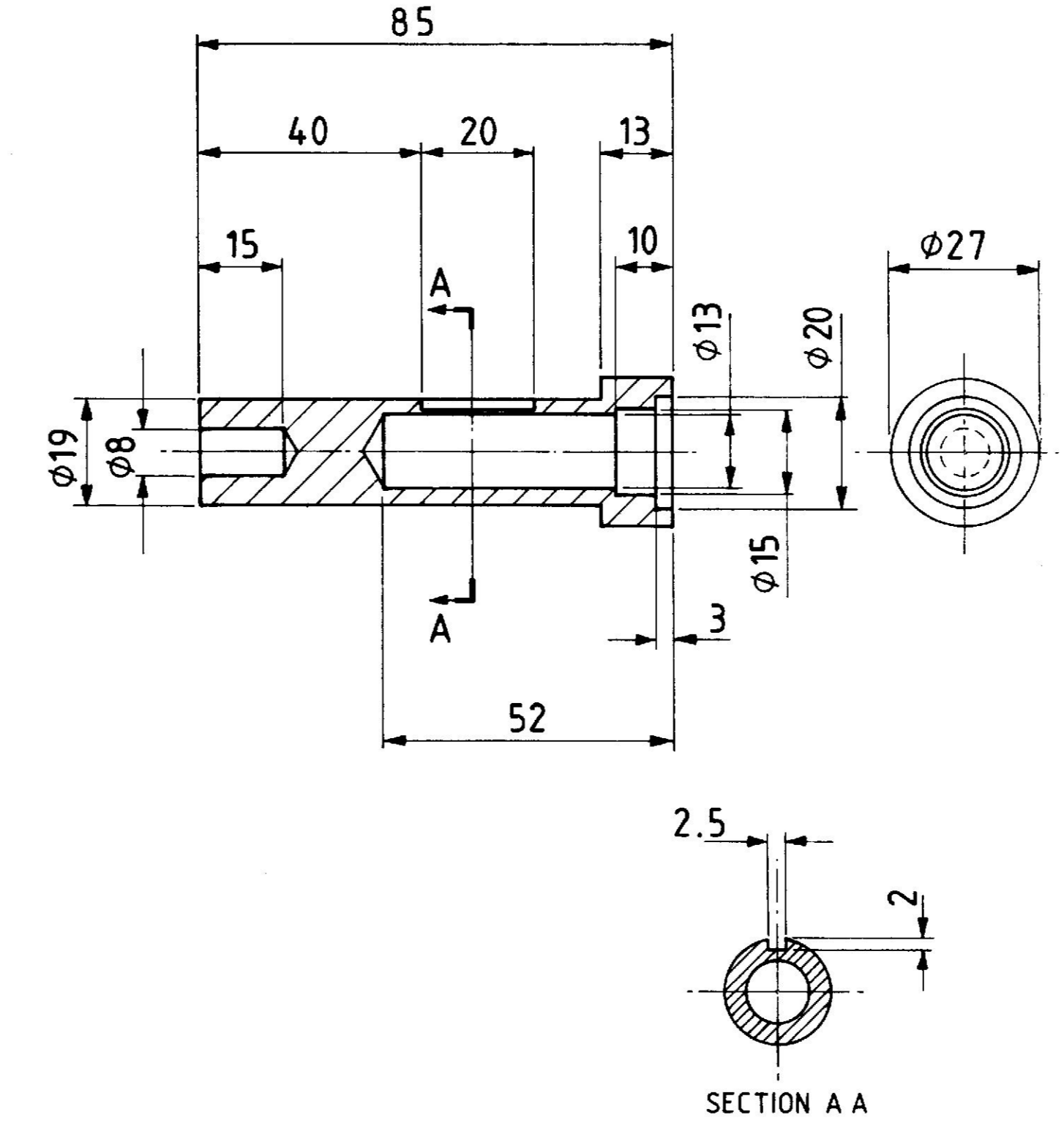


ITEM 1 BARREL MILD STEEL QTY 1



ITEM 2 GUIDE MILD STEEL QTY 1 SCALE 2:1



ITEM 3 PLUNGER MILD STEEL QTY 1

$P_c = 0.9$ $F = 11$ $d = 5$
 $P_f = 0.8$ $M = 8$
 $L_c = F + (d / P_c - P_f) \times P_c = 11 + (5 / 0.1) \times 0.9$
 $L_c = 56$
 $L_f = M + (d / P_c - P_f) \times P_f = 8 + (5 / 0.1) \times 0.8$
 $L_f = 48$

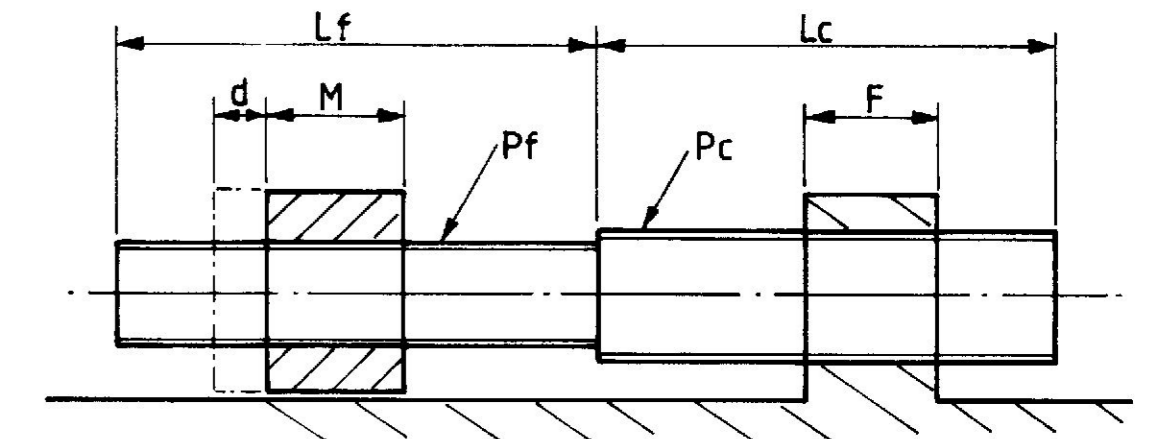
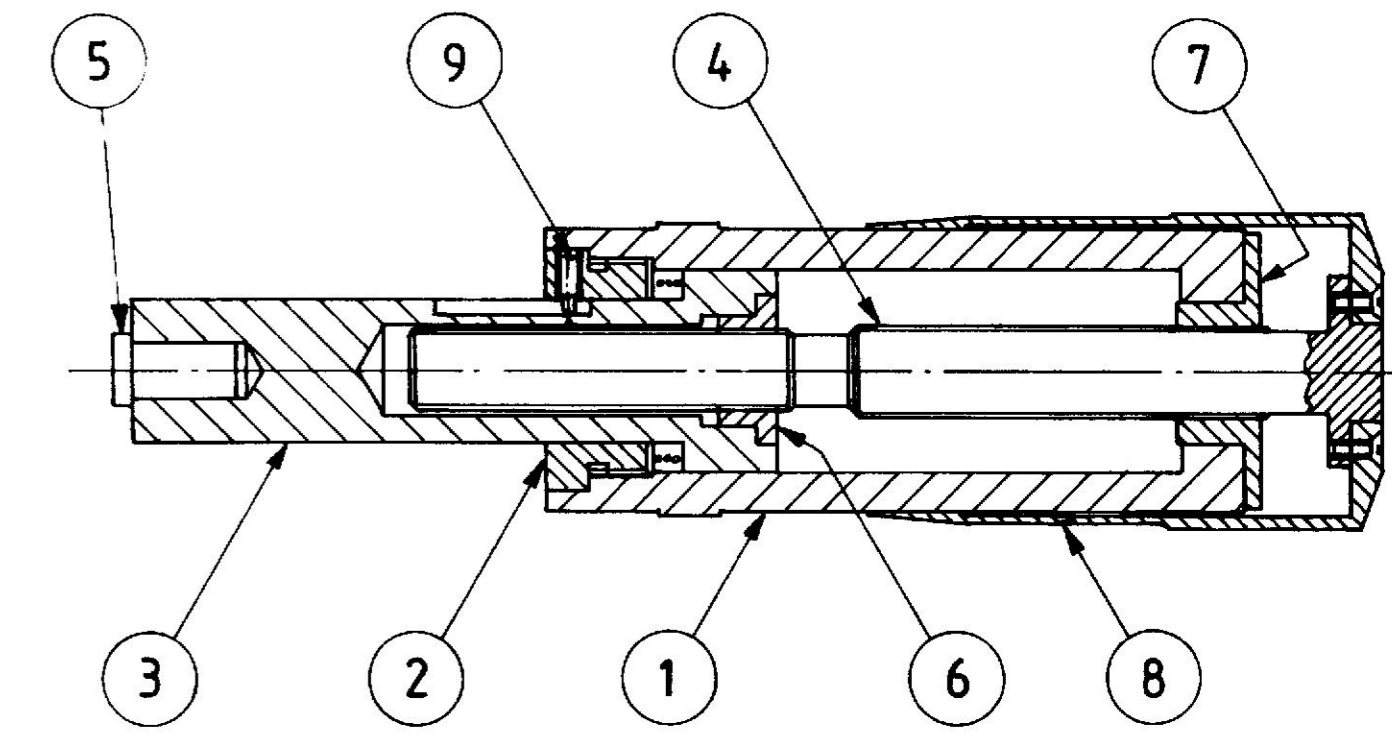


FIG 1



GENERAL ARRANGEMENT