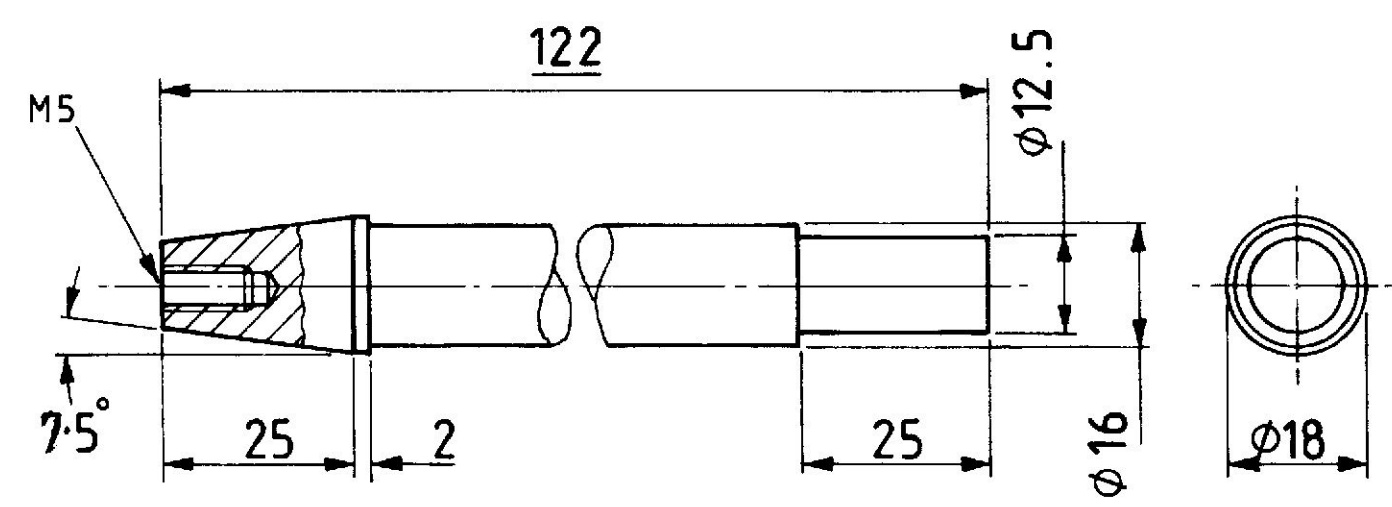
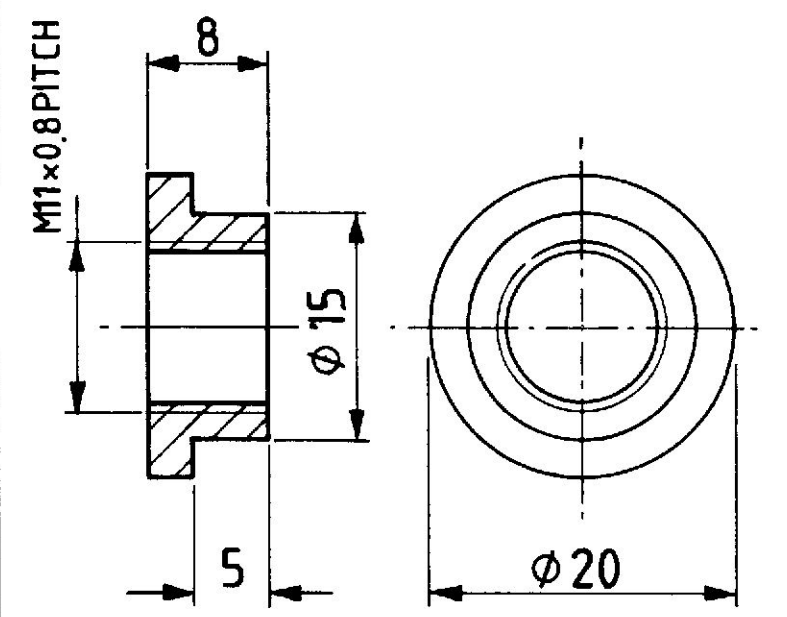


ITEM 4 SCREW MILD STEEL QTY 1



ITEM 5 ANVIL SILVER STEEL QTY 1 SCALE 2:1



ITEM 6 PLUNGER NUT MILD STEEL OR BRASS QTY 1 SCALE 2:1

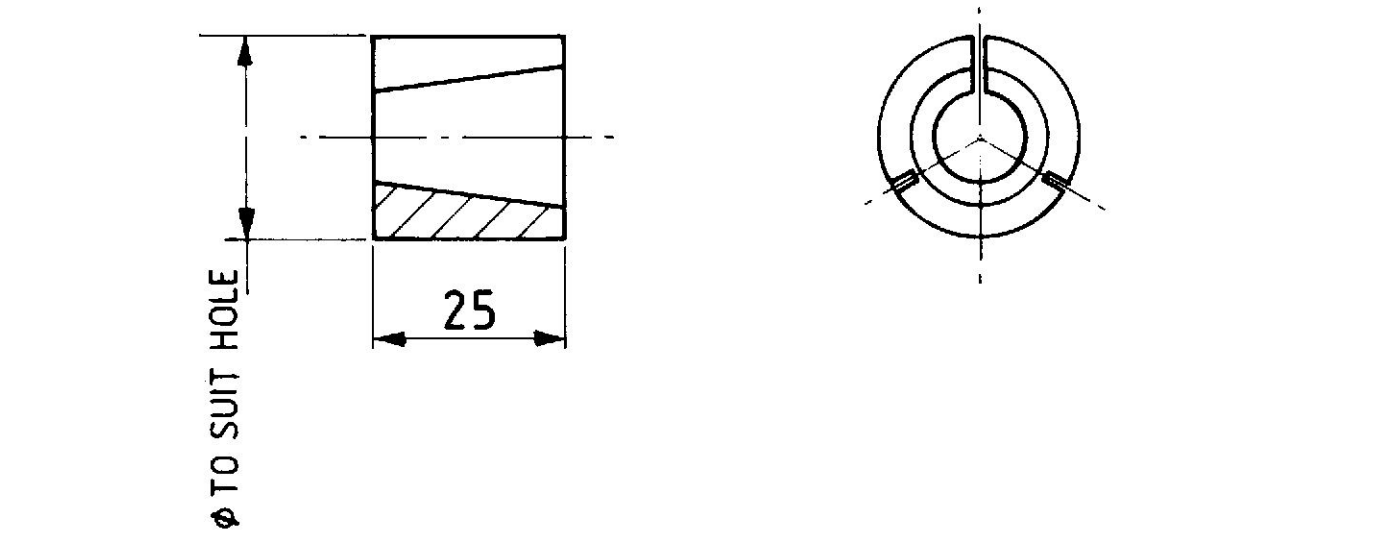
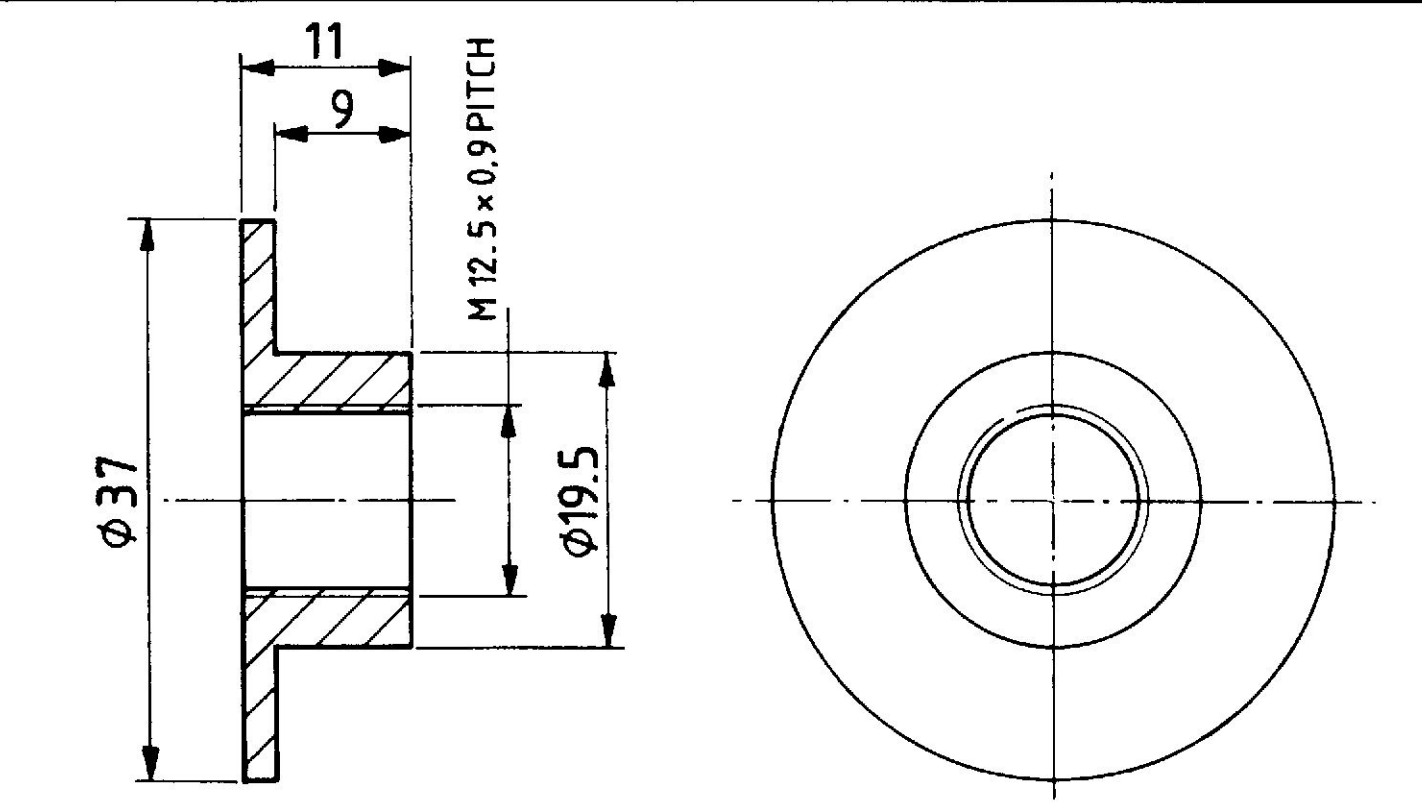
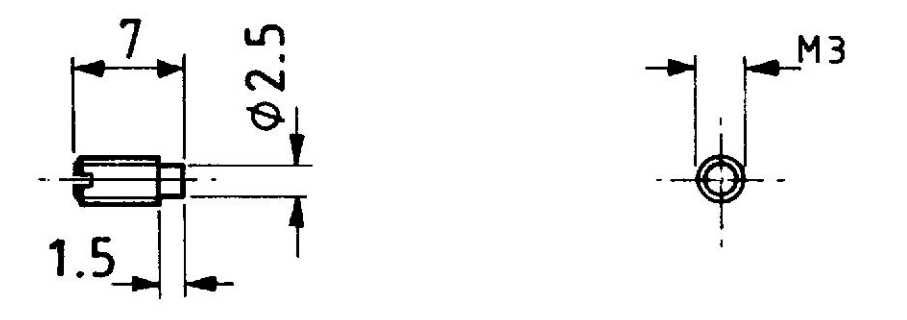


FIG 2 INTERNAL LAP MILD STEEL & ALUMINIUM ALLOY QTY 1



ITEM 7 BARREL NUT MILD STEEL OR BRASS QTY 1 SCALE 2:1



ITEM 9 KEY MILD STEEL QTY 1 SCALE 2:1

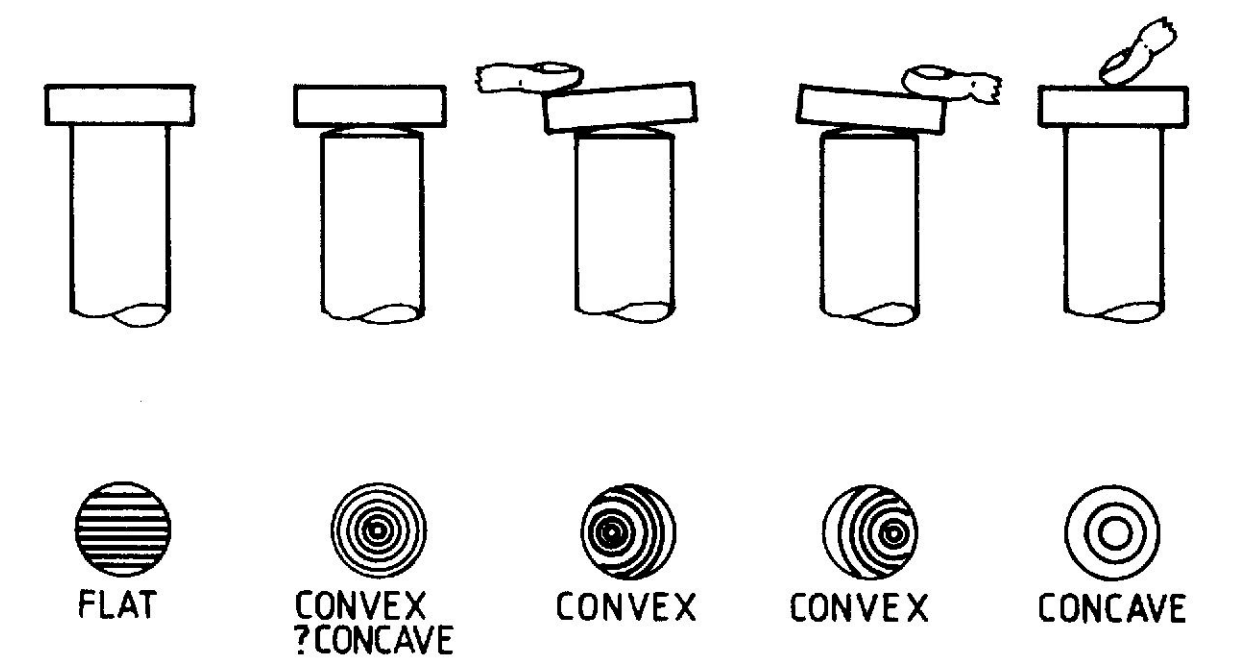
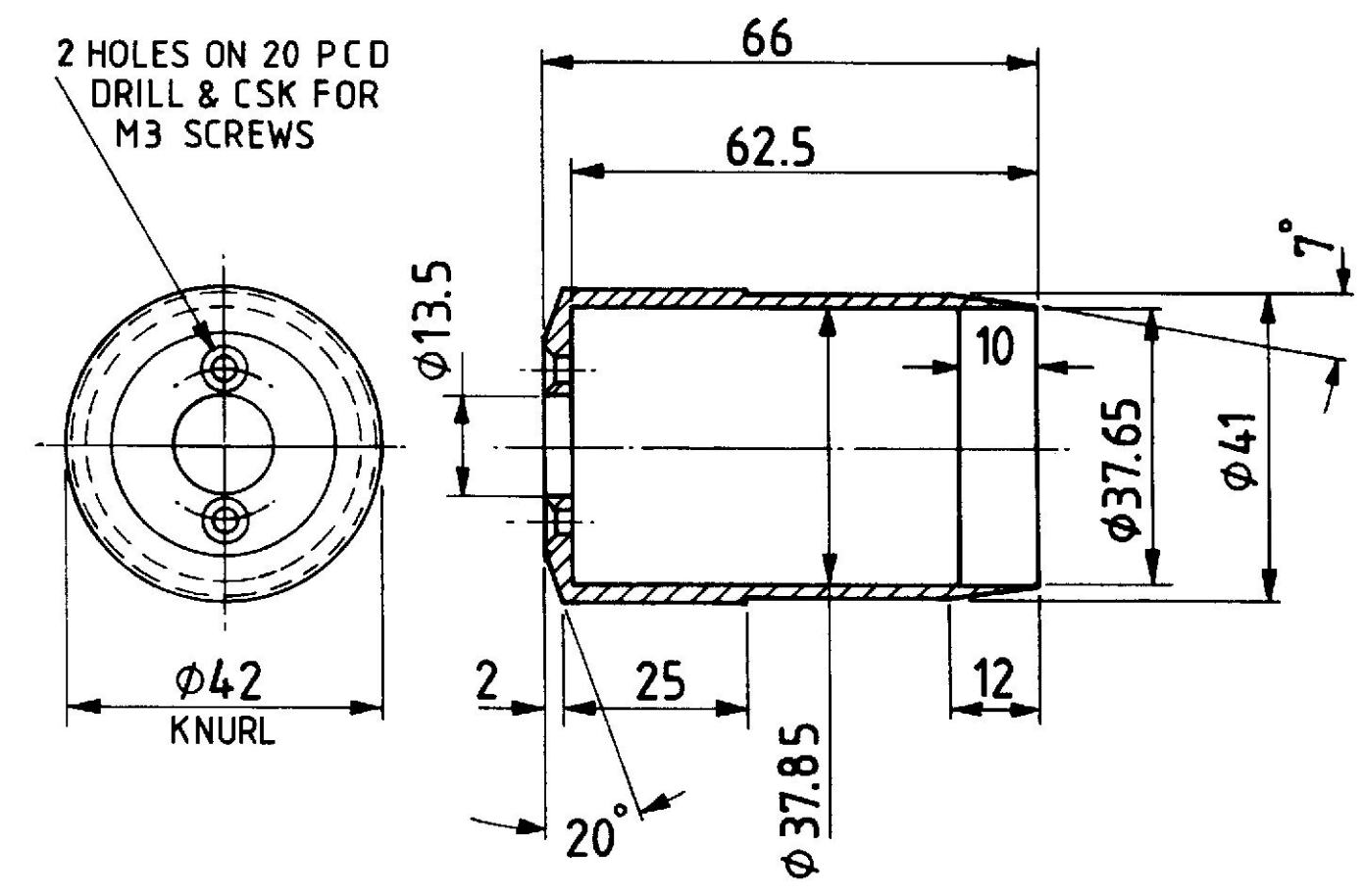


FIG 3 INTERPRETATION OF INTERFERENCE BANDS



FOR GRADUATIONS SEE TEXT
ITEM 8 THIMBLE MILD STEEL QTY 1

DIFFERENTIAL SCREW MICROMETER HEAD

by BILL MORRIS.

THIRD ANGLE PROJECTION DIMENSIONS IN MILLIMETRES
PRESENTED IN ISSUE OF MODEL ENGINEERS WORKSHOP
COPYRIGHT ARGUS SPECIALIST PUBLICATIONS, ARGUS HOUSE
BOUNDARY WAY, HEMEL HEMPSTEAD, HERTS. HP2 7ST